

PRODUCT INFORMATION PACKET

Model No: 145TTFR5303

Catalog No: M403

Other Purpose Motor, 2 & 1.50 HP, 3 Ph, 60 & 50 Hz, 230/460 & 190/380 V, 3600 & 3000 RPM,
145JM Frame, TEFC



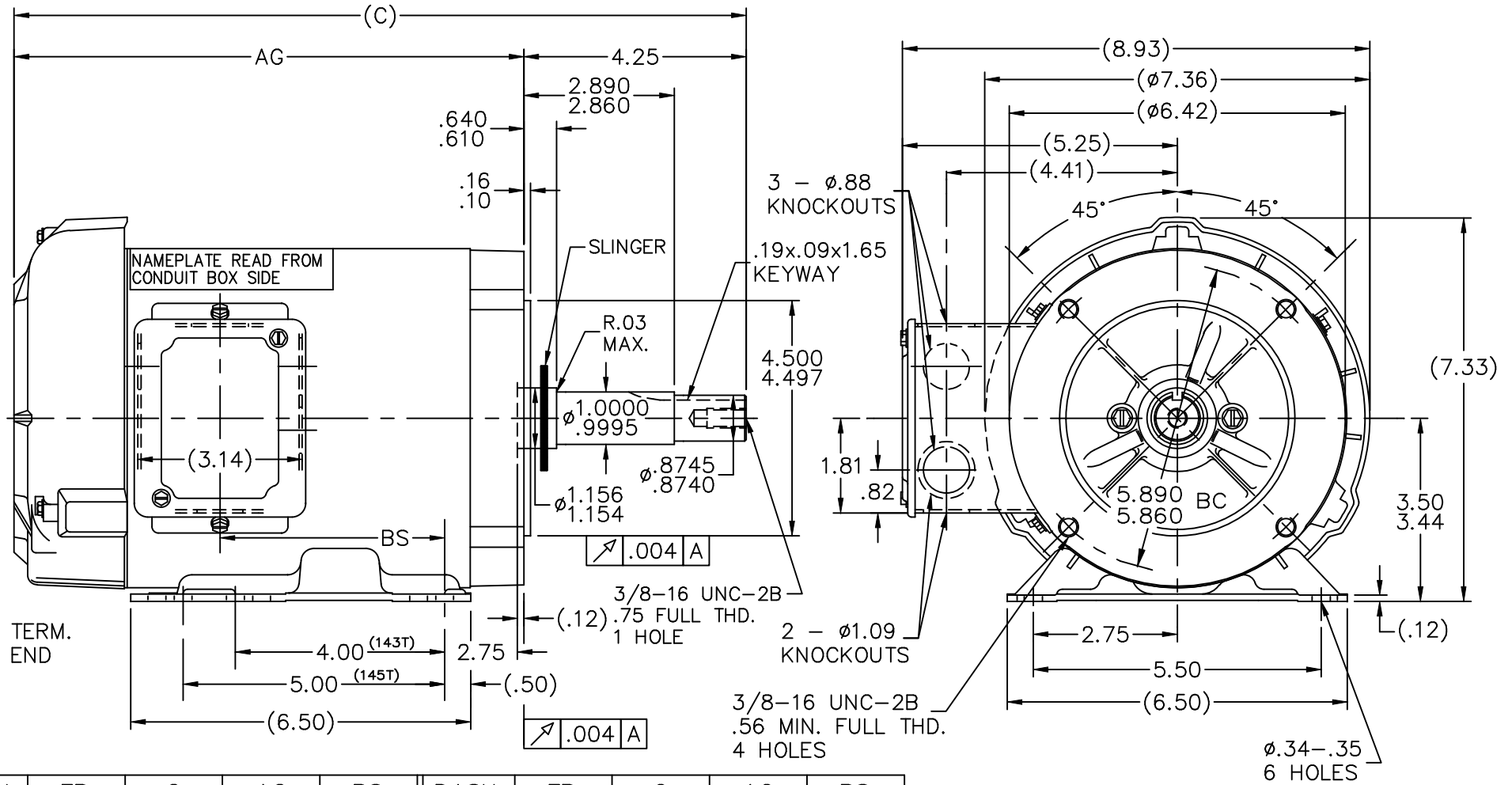
Regal and Marathon are trademarks of Regal Rexnord Corporation or one of its affiliated companies.
©2024 Regal Rexnord Corporation, All Rights Reserved. MC017097E

Nameplate Specifications

Phase	3	Output HP	2 & 1.50 Hp
Output KW	1.5 & 1.1 kW	Voltage	230/460 & 190/380 V
Speed	3495 & 2915 rpm	Service Factor	1.15 & 1.0
Frame	145JM	Enclosure	Totally Enclosed Fan Cooled
Thermal Protection	No Protection	Efficiency	80 & 80 %
Ambient Temperature	40 °C	Frequency	60 & 50 Hz
Current	6/3 & 5.6/2.8 A	Power Factor	76.5
Duty	Continuous	Insulation Class	F
Design Code	B	KVA Code	L
Drive End Bearing Size	6206	Opp Drive End Bearing Size	6203
UL	Recognized	CSA	Y
CE	Y	IP Code	43
Number of Speeds	1		

Technical Specifications

Electrical Type	Squirrel Cage Induction Run	Starting Method	Across The Line
Poles	2	Rotation	Reversible
Resistance Main	7.7 Ohms	Mounting	Rigid Base
Motor Orientation	Horizontal	Drive End Bearing	Ball
Opp Drive End Bearing	Ball	Frame Material	Rolled Steel
Shaft Type	JM	Overall Length	14.50 in
Frame Length	7.06 in	Shaft Diameter	0.880 in
Shaft Extension	4.25 in	Assembly/Box Mounting	F1 ONLY
Connection Drawing	A-EE7308	Outline Drawing	A-100133-706



DASH	FR	C	AG	BS	DASH	FR	C	AG	BS
706	140T	14.50	10.25	3.44	856	140T	16.00	11.75	4.94
756	140T	15.00	10.75	3.94	906	140T	16.50	12.25	5.44
806	140T	15.50	11.25	4.44	956	140T	17.00	12.75	5.94

NOTE:
'C' BOX CAN BE ROTATED 180°

		TOLERANCES UNLESS SPECIFIED		MARATHON ELECTRIC		DRAWN MRB 12-20-1994		
		DEC.	INCHES			CHK	ML 12-21-1994	
		.X	±.1			APPD	GK 12-21-1994	
		.XX	±.03	TITLE OUTLINE JM EXT.		SCALE	11=32	
7	REDRAWN IN AUTOCAD	TAT 07-06-2004	ML .XXX	±.005	140 FR. - TEFC - 355C - BB - 'C' FACE		REF	
6	REDRAWN ON CADD	MRB 12-21-1994	.XXXX	±.0005	MAT'L.		FMF	
NO.	REVISION	BY & DATE	CHK	ANG	±7'30"	FINISH	PREV	
THIS DRAWING IN DESIGN AND DETAIL IS OUR PROPERTY AND MUST NOT BE USED EXCEPT IN CONNECTION WITH OUR WORK ALL RIGHTS OF DESIGN AND INVENTION ARE RESERVED THIS IS AN ELECTRONICALLY GENERATED DOCUMENT - DO NOT SCALE THIS PRINT		RFP	CAD FILE 100133		SIZE	DRAWING NO.	PAGE OF	REV.
		DIST WP			A	100133	7	

EE7308

THREE PHASE
DUAL VOLTAGE MOTOR



VIEW OF TERMINAL END

REF.
WINDING DIAGRAM

T8Y, T2Y, T2BL, T4BX, T2EC, T2G
T6BZ, T2B, T6BL, T4AV, T6B, T4B

OPTIONAL CORD
CONNECTION

L1 — WHITE
L2 — RED
L3 — BLACK

NO.	REVISION	BY & DATE	CHK	ANG	TOLERANCES UNLESS SPECIFIED		FINISH	DRAWN RM 11/20/1990				
					DEC.	INCHES						
5	CHG TO REGAL LOGO	SL 09/10/2015	AB					CHK ML 11/21/1990				
4	REVISED IEC NOTATIONS	MSG 11/15/2011	CMN	.X	±.1			APPD SAS 04/24/2003				
3	ADDED IEC NOTATIONS... (U1), (V1) ETC. MU95194	MSG 5/10/2010	MJS	.XX	±.02			SCALE 1=1				
2	ADDED THE OPTIONAL CORD CONNECTION MU46318	RDH 04/24/2003	DRS	.XXX	±.005		TITLE CONNECTION DIAGRAM 3Ø - DUAL VOLTAGE MOTOR	REF				
1	REDRAWN	RM 11/20/1990		.XXXX	±.0005		MAT'L.	FMF				
					±7'30"			PREV				
THIS DRAWING IN DESIGN AND DETAIL IS OUR PROPERTY AND MUST NOT BE USED EXCEPT IN CONNECTION WITH OUR WORK ALL RIGHTS OF DESIGN AND INVENTION ARE RESERVED THIS IS AN ELECTRONICALLY GENERATED DOCUMENT - DO NOT SCALE THIS PRINT							RFP	CAD FILE ee7308	SIZE A	DRAWING NO. EE7308	PAGE OF 5	REV. 5
							DIST WP					



CERTIFICATION DATA SHEET

Model#: 145TTFR5303 BE WINDING#: ZT217 NONE 3
 CONN. DIAGRAM: A-EE7308 ASSEMBLY: F1 ONLY
 OUTLINE: A-100133-706

TYPICAL MOTOR PERFORMANCE DATA

HP	KW	SYNC. RPM	F.L. RPM	FRAME	ENCLOSURE	KVA CODE	DESIGN
2&1 1/2	1.49&1.12	3600	3495&2915	145JM	TEFC	L	B

PH	Hz	VOLTS	FL AMPS	START TYPE	DUTY	INSL	S.F	AMB°C	ELEVATION
3	60/50	230/460#190/ 380	6/3&5.6/2.8	ACROSS THE LINE	CONTINUOU S	F3	1.15/1.0	40	3300

FULL LOAD EFF: 80&80	3/4 LOAD EFF: 81.5	1/2 LOAD EFF: 77	GTD. EFF	ELEC. TYPE	NO LOAD AMPS
FULL LOAD PF: 76.5&75.2	3/4 LOAD PF: 69	1/2 LOAD PF: 56.5	77	SQ CAGE IND RUN	3.6 / 1.8

F.L. TORQUE	LOCKED ROTOR AMPS	L.R. TORQUE	B.D. TORQUE	F.L. RISE°C
3 LB-FT	49 / 24.5	9.3 LB-FT 310	12.8 LB-FT 427	65

SOUND PRESSURE @ 3 FT.	SOUND POWER	ROTOR WK^2	MAX. WK^2	SAFE STALL TIME	STARTS /HOUR	APPROX. MOTOR WGT
68 dBA	78 dBA	0.03 LB-FT^2	4 LB-FT^2	10 SEC.	2	30 LBS.

***** SUPPLEMENTAL INFORMATION *****

DE BRACKET TYPE	ODE BRACKET TYPE	MOUNT TYPE	ORIENTATION	SEVERE DUTY	HAZARDOUS LOCATION	DRIP COVER	SCREENS	PAINT
C-FACE	STANDARD	RIGID	HORIZONTAL	FALSE	NONE	PROVISIONS ONLY	NONE	GRAY (POWDER)

BEARINGS		GREASE	SHAFT TYPE	SPECIAL DE	SPECIAL ODE	SHAFT MATERIAL	FRAME MATERIAL
DE	OPE						
BALL	BALL	POLYREX EM	JM	NONE	NONE	1144 STRESSPROOF (C-223)	ROLLED STEEL
6206	6203						

THERMO-PROTECTORS				THERMISTORS	CONTROL	SPACE /n HEATERS
THERMOSTATS	PROTECTORS	WDG RTDs	BRG RTDs			
NONE	NOT	NONE	NONE	NONE	FALSE	NONE VOLTS

If Inverter equals NONE, contact factory for further information

INVERTER TORQUE: NONE
INV. HP SPEED RANGE: NONE
ENCODER: NONE
NONE NONE
NONE NONE PPR
BRAKE: NONE NONE
NONE P/N NONE
NONE NONE
NONE FT-LB NONE V NONE Hz

*
N
O
T
E
S
*

DATE: 06/23/2017 07:47:16 AM

FORM 3531 REV.3 02/07/99

** Subject to change without notice.

Data Sheet

Date: 12/12/2018
 Customer: _____
 Attention: _____
 Submitted by: FAREEDA DUDEKULA



145TTFR5303

Submittal

Data @ 460 V

Motor Load Data

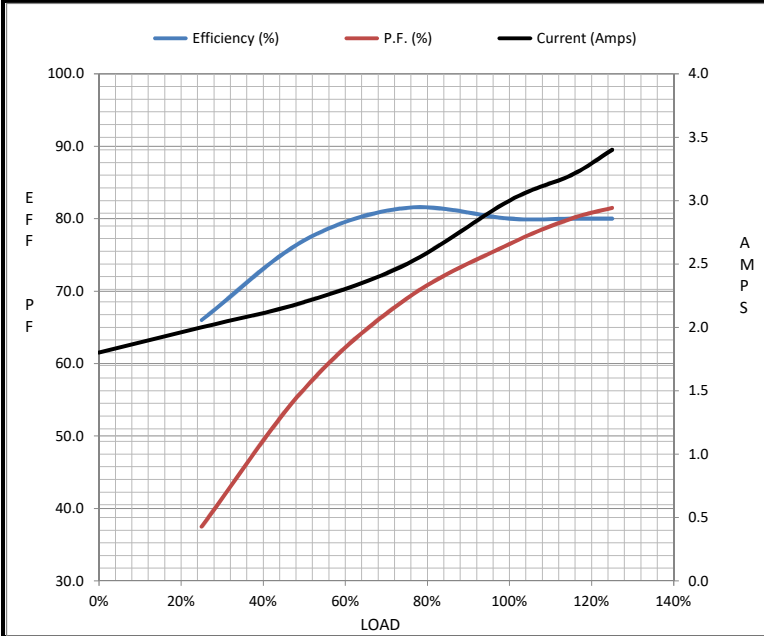
Load	0%	25%	50%	75%	100%	115%	125%	LR
Current (Amps)	1.80	2.00	2.20	2.50	3.0	3.2	3.4	24.5
Torque (ft-lb)	0.00	0.73	1.50	2.20	3.0	3.5	3.8	9.3
RPM	3600	3575	3550	3525	3495	3,485	3475	0
Efficiency (%)		66.0	77.0	81.5	80.0	80.0	80.0	
P.F. (%)	13.0	37.5	56.5	69.0	76.5	80.0	81.5	65.5

Motor Speed Data

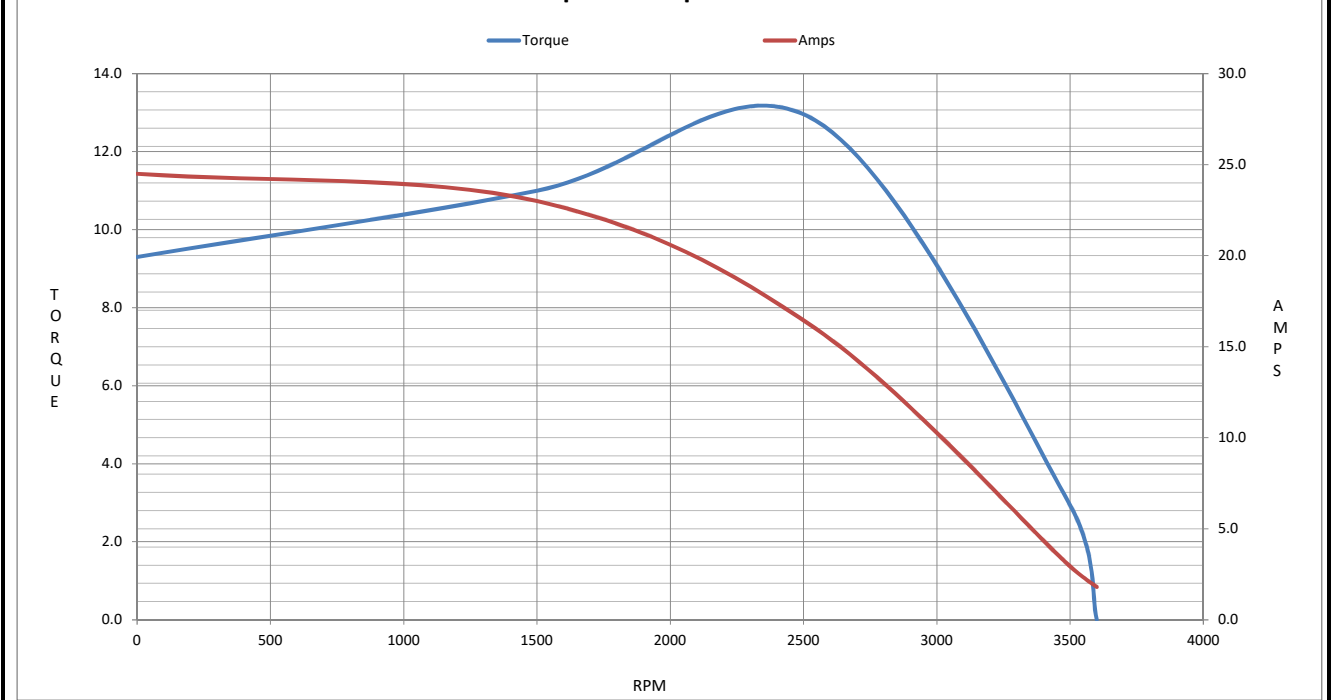
	LR	Pull-Up	BD	Rated	Idle
Speed (RPM)	0	1500	2545	3495	3600
Current (Amps)	24.5	23.0	16.0	3.0	1.80
Torque (ft-lb)	9.3	11.0	12.8	3.0	0.00

Information Block

HP	2.0			
Sync. RPM	3600			
Frame	145			
Enclosure	TEFC			
Construction	TFR			
Voltage	230/460#190/380 V			
Frequency	60 Hz			
Design	B			
LR Code letter	L			
Service Factor	1.15			
Temp Rise @ FL	70 °C			
Duty	CONT			
Ambient	40 °C			
Elevation	1,000 feet			
Rotor/Shaft wk ²	0.03 Lb-Ft ²			
Ref Wdg	ZT217 NONE			
Sound Pressure @ 1M	68 dBA			
VFD Rating	NONE			
Outline Dwg	A-100133-706			
Conn. Diag	A-EE7308			
Additional Specifications:				
0				
0				
EQUIV CKT (OHMS / PHASE)				
R1	R2	X1	X2	Xm
4.2600	2.8400	7.1000	2.8400	147.6800



Speed - Torque Curve



EC Declaration of Conformity

The undersigned representing
the manufacturer:

Regal Beloit America
100 East Randolph St.
Wausau, WI 54401

and the authorized representative
established within the Community:

Marathon Electric UK
6F Thistleton Road Ind. Estate
Market Overton
Oakham, Rutland LE15 7PP UK

are committed to providing customers with products that comply with applicable regulations and international protocols to which they are subject, including the requirements of the European Parliament Directive on the Harmonization of the laws relating to electrical equipment designed for use within certain voltage limits (2014/35/EU).

Regal Beloit America declares that the following product(s), to which this declaration relates, are in conformity with the relevant sections of the EC standards listed below.

This statement supersedes any statements previously issued pertaining to the product(s) listed below and is subject to change without notice.

Model No : 145TTFR5303

(Model No. may contain prefix and/or suffix characters)

Catalog No : M403

Rework No : N/A

Directives :

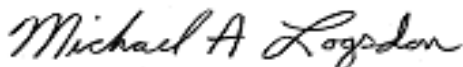
Low Voltage Directive 2014/35/EU

Harmonized Standards Used :

EN 60034-1: 2010 (IEC 60034-1: 2010)

EN 60034-5: 2001/A1:2007 (IEC 60034-5: 2000/A1:2006)

Authorized Representative:



Michael A. Logsdon
Vice President, Technology

Authorized Representative in the Community:



Julian Clark
Marketing Engineer

Created on 09/06/2022

CE 22